

4. CANOPY

ODGH RI JLQF SODWH VWHHO SDLQWHG LQ HOHFWURVWDWLF ILHO
 GHVLJQHG ZLWK LQ GRRU DFFHVV GRRUV RQ DOO VLGHV RI WKH J
 W\SH PRXQWHG LQVLGH WKH FDLQJ 7KH FDUFDVVHV DUH GHV
 HQJLQH DQG DOWHUQDWRU DVVHPEO\ DQG FDQ EH PRXQWHG RX
 ZHDWKHULQJ DQG ORZ QRLVH OHYHOV

&RQWURO SDQHO
 \$FFHVV GRRU IRU FRQWURO PRGXOH
 (QJLQH DQG DOWHUQDWRU DFFHVV GRRU
 3RLQWV IRU FUDQH OLIWLQJ
 5HWHQWLRQ WUD\
 5DGLDWRU FDS
 +RW DLU RXWOHW JULOOV
 +DQGOHV SURYLGHG ZLWK ORFNV
 /LIWLQJ SXOOLQJ KROHV
 %DVH IUDPH
 (PHUJHQF\ EXWRQ
 ([KDXVW *DV 9DOYH
 &DEOH DFFHVV VSDFH
 \$LU LQWDNH JULOOV
 5XEEHU OHJV

5. DIMENSIONS & WEIGHT

Opened generator sizes & weight	
Sizes (length x width x height) (mm)	2000 x 1010 x 1715
Weight (kg)	770
Fuel tank capacity (liters)	100
Noise level (from distance of 7m)	82 db
Closed generator sizes & weight	
Sizes (length x width x height) (mm)	2300 x 1010 x 1565
Weight (kg)	900
Fuel tank capacity (liters)	100
Noise level (from distance of 7m)	70 db

6. STANDARD FEATURES

Control & comand panel with indicators and measuring devices, IP 54 protection



Thermostatic heater for cooling liquid



Stating charger for charger



Oversized starting battery



Dinamic alternator for battery charging



Emergency stop button



Chassis with fuel tank dimensioned for an 8 hour autonomy



Rubber legs



Vibration dampers



Metal hinges



Device for measuring fuel level



Access doors provided with locks



Electric lines protected by tubing and seal



System for manipulation with crane or forklift



Residential exhaust pipe

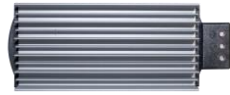


Fireproof antiphonic pillow



7. OPTIONAL FEATURES

Anti-condensation embedding system for electric panels



Liquid retention tray + fuel tank with double wall



Heating system for fuel/ oil



Liquid leak detection sensor



Circulation pump for heating cooling liquid



Exterior fuel filler cap with lock



Oil evacuation pump



Fire extinguisher with internal housing support



Motorized AAR, patented invention ENDRESS-Patent OSIM 00048/2015



Super soundproof housing



3/4 poles differential protection



Intake air heating spark plug



Sockets 400V/ 230V



Grounding electrodes



Fuel filter with water detection



Fuel transfer automatic pump



Bypass panel-patented invention ENDRESS-Patent OSIM 00010/ 2012



Mobile distribution panel with 4 sockets



Auto trailer



Cable reel



Remote control start



Fire detector with automatic shutdown generator set



Lack of grounding protection



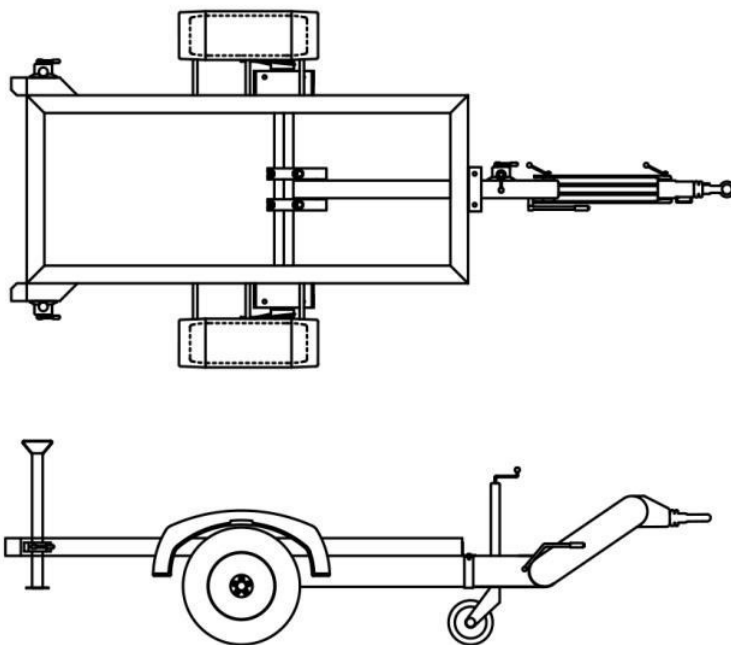
Fire extinguishing system with inert gas



Interior lighting with switches operated at door opening



Optional:
RAR homologated auto trailer
Model: **EGR 1350**



Created in Germany – Assembled in Romania
Warranty: 24 months or 3000 operating hours



ENDRESS PRODUCTS ARE IN A CONTINUOUS DEVELOPMENT AND IMPROVEMENT PROCESS. FOR THIS REASON, ENDRESS ZENESSIS GROUP PRESERVES THE RIGHT TO MODIFY THE INFORMATION FOUND IN THESE LEAFLETS WITHOUT PRIOR NOTIFICATION